

# ITB-LP, 120V W/ DISPLAY

Height: 29.4" Width: 11.7" Depth: 21.8"  
(74.7cm) (29.7cm) (55.4cm)



- Digital readout displays in English, Spanish, or French ---for easier programming and control--- and can show either 'Standard' or Metric measurements. Digital readout also shows machine status, and targeted advertising messages can be programmed for display.
- BUNN Infusion Series technology allows for multiple recipes from one footprint --- with three brew buttons and two batch sizes
- Easy pulse display allows for simplified programming of pulse routine
- Includes overlay kit for customization of brewer interface
- Compact, low-profile styling to accommodate a variety of spaces
- Energy-saver mode reduces tank temperature during idle periods
- Exclusive Peak Extraction™ Sprayhead is multi-directional with a 7-hole design to ensure ultimate uniformity of extraction
- Electronic funnel lock prevents removal of each brew funnel until drip- through is complete
- USB programming capable
- Brew counter keeps track of how many batches are brewed
- Pre-infusion and pulse brew for maximum flavor extraction. Cold brew lockout & digital temperature control further ensure top-notch brewing.
- Includes overlay kit for customization of brewer interface

Server(s) sold separately

Agency:



## Specifications

**Product #:** 52000.0001

**Legs:** 4" Black Legs

**Water Access:** Plumbed

**Finish:** Stainless

**Funnel:** Translucent Tea Funnel

## Additional Features

Funnel Locks

## Electrical & Capacity

| Volts* | Amps | Watts | Cord Attached | Plug Type  | 8oz cups/hr<br>236ml cups/hr | Input H <sub>2</sub> O Temp. | Phase | # Wires plus Ground | Hertz |
|--------|------|-------|---------------|------------|------------------------------|------------------------------|-------|---------------------|-------|
| 120    | 14   | 1700  | Yes           | NEMA 5-15P | 336                          | 60°F (15.5°C)                | 1     | 2                   | 60    |

\*When a BUNN is machine rated 120/208-240V, 120/208V or 120/240V, the higher voltage is the supply voltage needed to power the machine. The 120V is there to supply power to some components rated 120V in the machine, but it is not the supply voltage and would not power the machine if the machine is marked with the before mentioned ratings.

## Plumbing Requirements

| PSI   | kPa     | Fitting Supplied        | Water Flow Required (GPM) |
|-------|---------|-------------------------|---------------------------|
| 20-90 | 138-621 | 1/4" Male Flare Fitting | 1.25                      |

## CAD Drawings

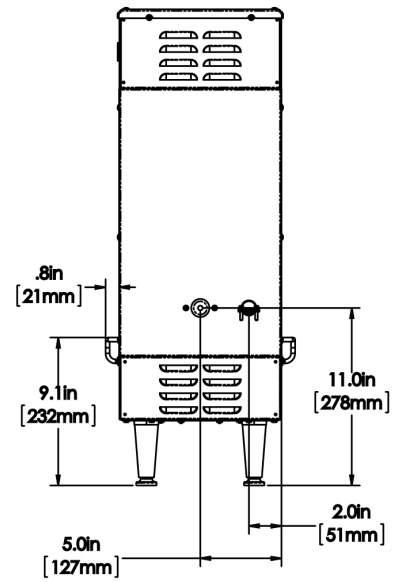
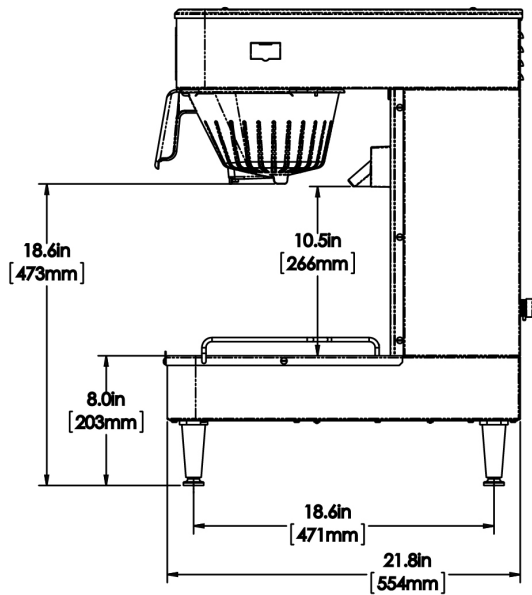
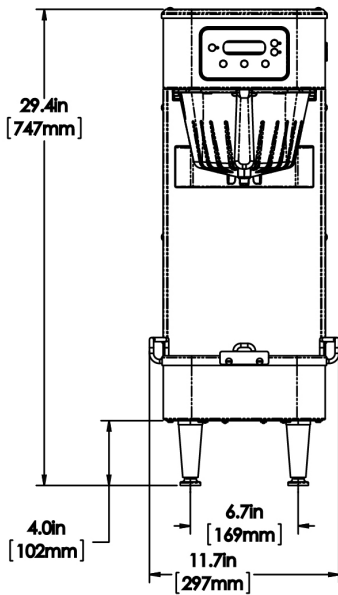
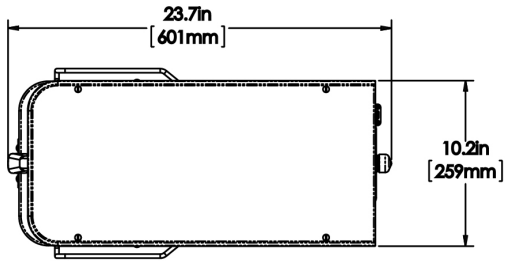
| 2D | Revit | KLC |
|----|-------|-----|
| ●  |       |     |

**WARNING:** This product can expose you to chemicals including Bisphenol A (BPA), which is known to the State of California to cause birth defects or other reproductive harm. For more information go to [www.P65Warnings.ca.gov](http://www.P65Warnings.ca.gov)



BUNN® reserves the right to change specifications and product design without notice. Such revisions do not entitle the buyer to corresponding changes, improvements, additions or replacements for previously purchased equipment. For most current specifications and other info visit [bunn.com](http://bunn.com).

Last Updated:  
09/21/2023



|         | Unit     |          |          | Shipping |       |       |            |        |
|---------|----------|----------|----------|----------|-------|-------|------------|--------|
|         | Height   | Width    | Depth    | Height   | Width | Depth | Weight     | Volume |
| English | 29.4 in. | 11.7 in. | 21.8 in. | -        | -     | -     | 36.250 lbs | -      |
| Metric  | 74.7 cm  | 29.7 cm  | 55.4 cm  | -        | -     | -     | 16.443 kgs | -      |



BUNN® reserves the right to change specifications and product design without notice. Such revisions do not entitle the buyer to corresponding changes, improvements, additions or replacements for previously purchased equipment. For most current specifications and other info visit [bunn.com](http://bunn.com).

Last Updated:  
09/21/2023

## Related Products & Accessories:ITB-LP, 120V W/ DISPLAY(52000.0001)



FILTERS, GOURMET 500  
500/1 50/CL

Product #: 20138.1000



WATER FILTER, EQHP-  
TEA

Product #: 39000.0007

FUNNEL ASSY, TEA  
NATURAL QUICK BREW

Product #: 53463.0023

FUNNEL ASSY, TEA  
NATURAL QUICK BREW

Product #: 53463.0036



SYSTEM, WQ-SFTN4000  
(1.5)10 TEA

Product #: 56000.0021



SYSTEM, WEQ-  
SFTN3500(1)10 TEA

Product #: 56000.0030



CARTRIDGE, WEQ-  
SFTN3500(1)10 TEA

Product #: 56000.0129



CARTRIDGE, WQ-  
SFTN4000(1.5)10 TEA

Product #: 56000.0133



BUNN® reserves the right to change specifications and product design without notice. Such revisions do not entitle the buyer to corresponding changes, improvements, additions or replacements for previously purchased equipment. For most current specifications and other info visit [bunn.com](http://bunn.com).

Last Updated:  
09/21/2023

## Serving & Holding Options: ITB-LP, 120V W/ DISPLAY(52000.0001)



TDO-3.5,LP RSVR BREW  
THRU

Product #:37100.0000



BUNN® reserves the right to change specifications and product design without notice. Such revisions do not entitle the buyer to corresponding changes, improvements, additions or replacements for previously purchased equipment. For most current specifications and other info visit [bunn.com](http://bunn.com).

Last Updated:  
09/21/2023